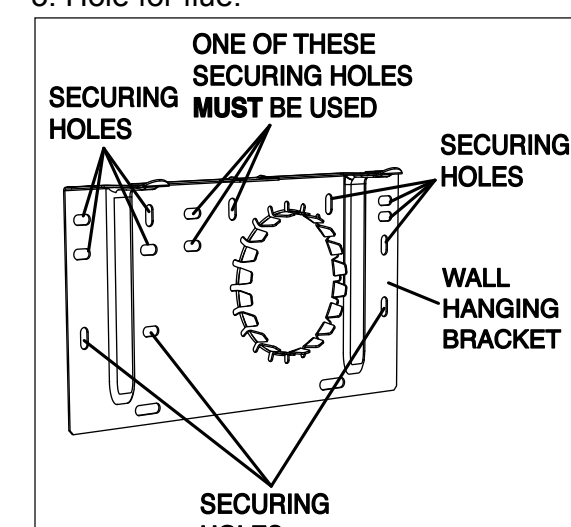


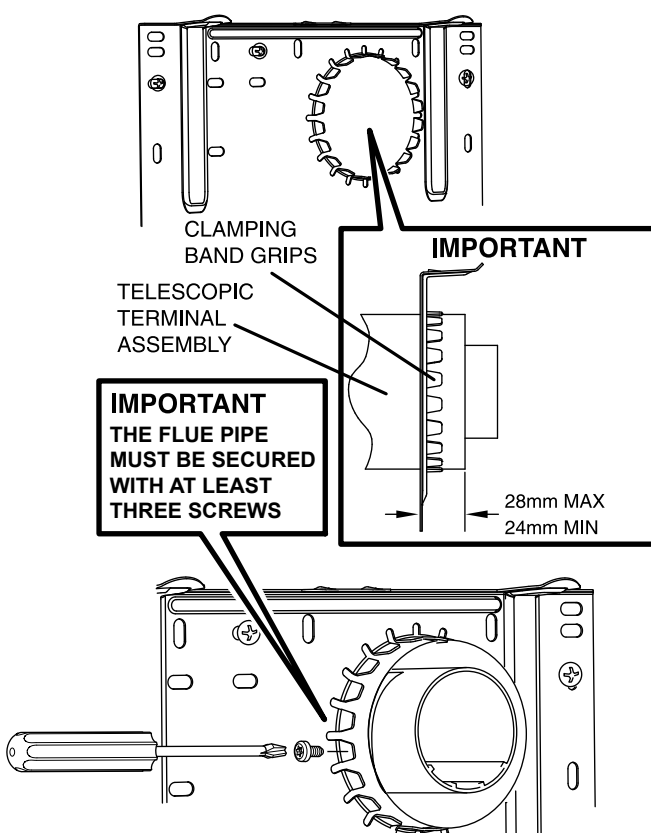
**PLEASE NOTE**  
THE STEP BY STEP GUIDE IS NOT INTENDED TO REPLACE THE INSTALLATION LITERATURE. IT SHOULD BE USED ONLY AS A REFERENCE.

- Note: Before securing the wall hanging bracket the following considerations must be made:
1. Rear or Turret flue (see Step 2)
  2. Position of boiler
  3. Hole for flue.

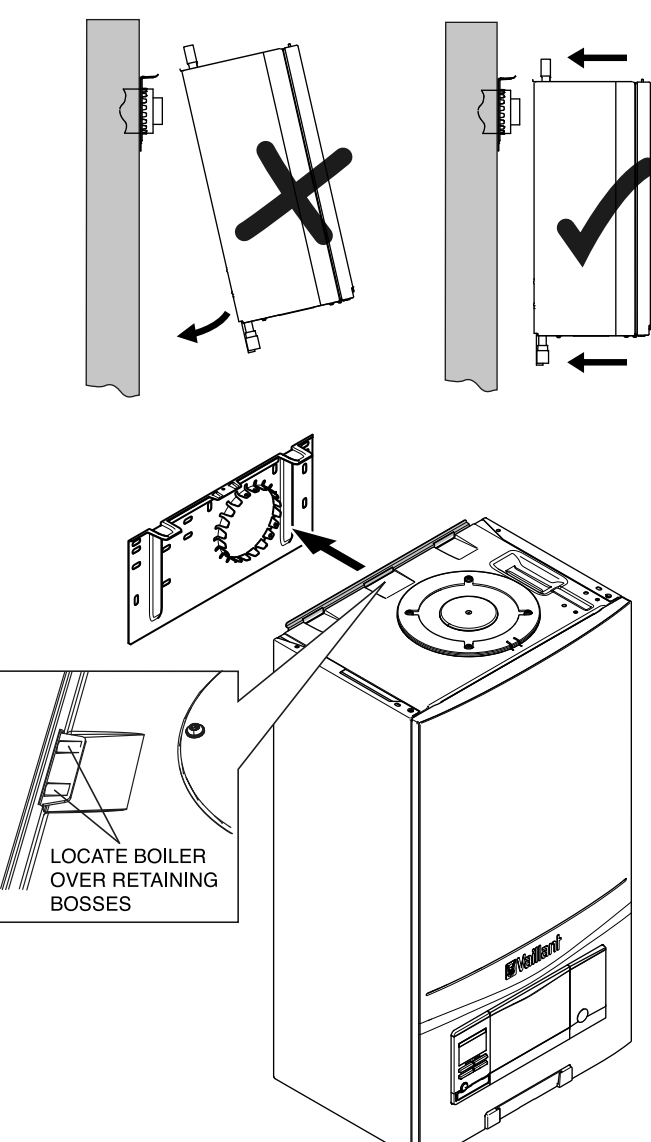


**Step 1**

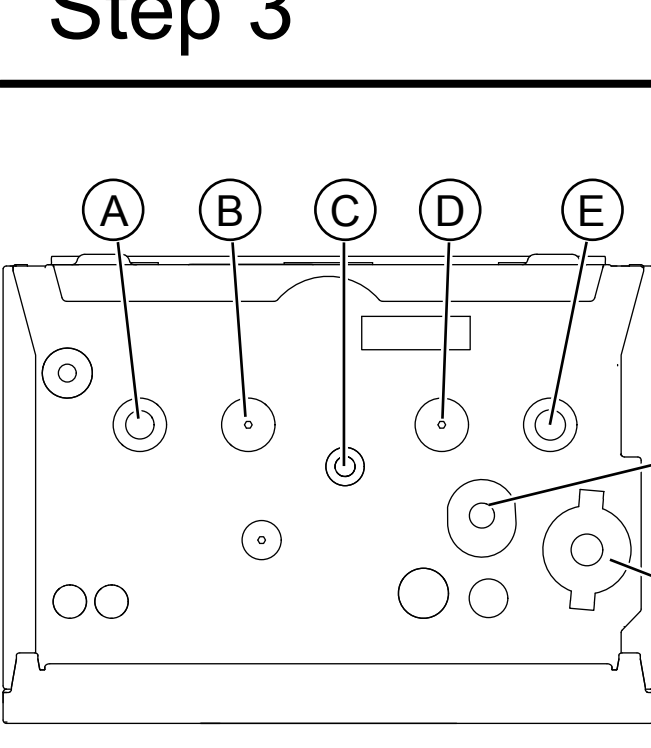
Note: If external access is not available for rear flue installation, then it must be assembled and inserted into the hole before securing the wall hanging bracket.



**Step 2**



**Step 3**



- A - Central Heating Isolation Valve
- B - Domestic Cold Water
- C - Gas Service Cock
- D - Domestic Hot Water
- E - Central Heating Isolation Valve
- F - Safety Discharge Pipe
- G - Condensate Connection

**Step 4**

WALL TEMPLATE



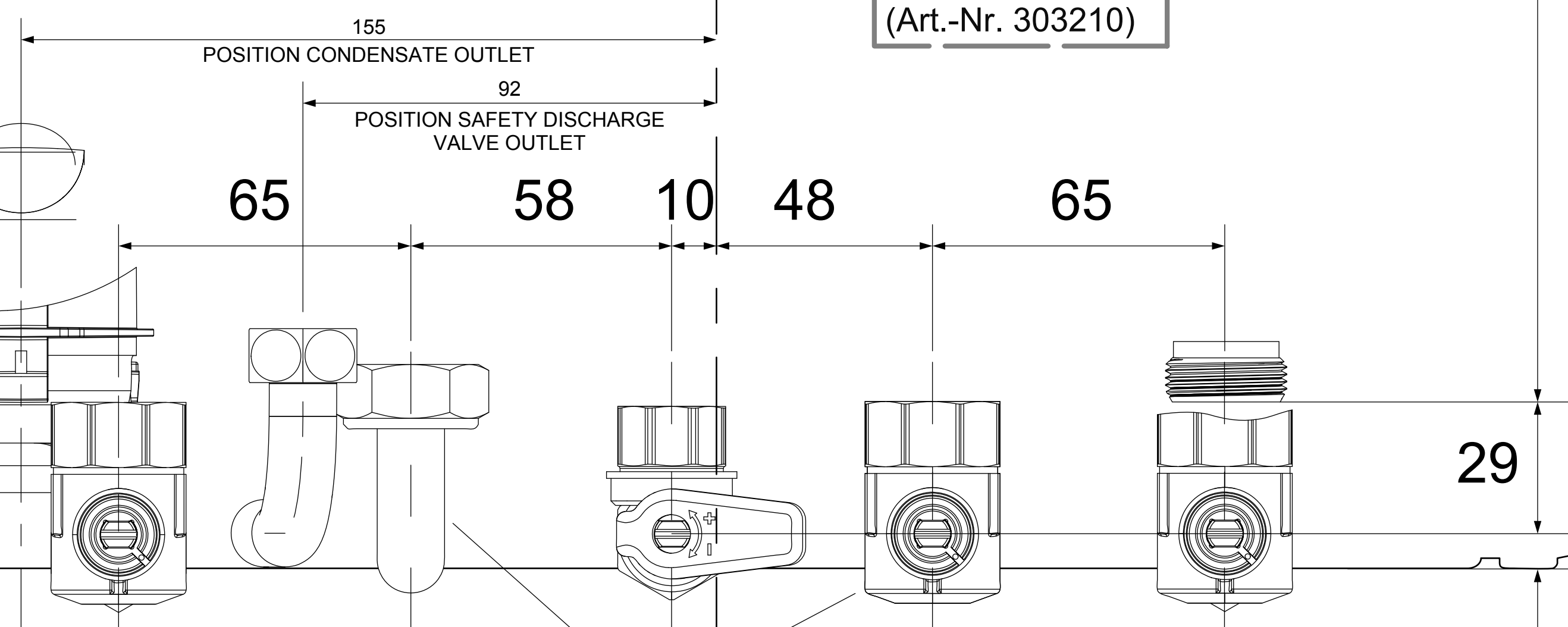
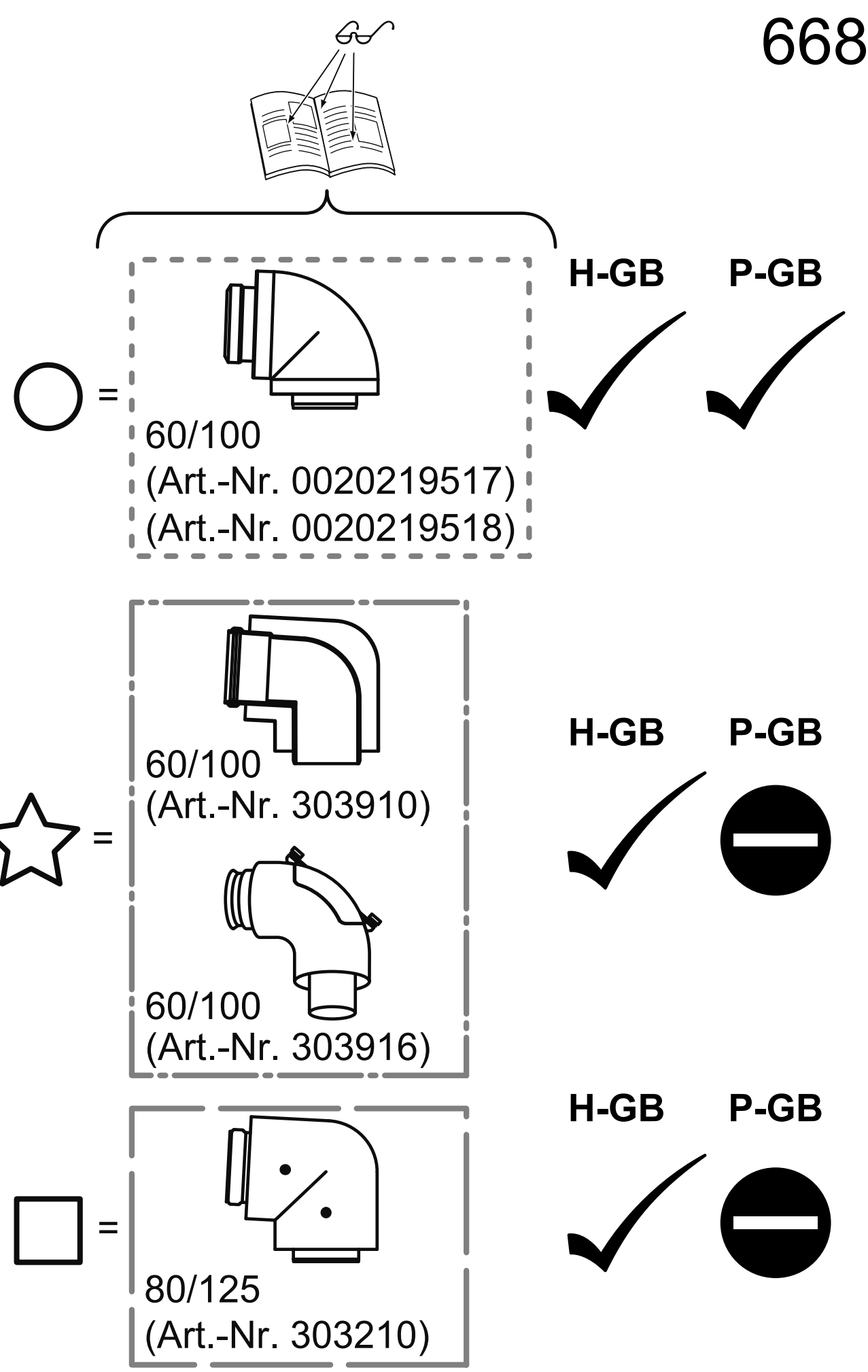
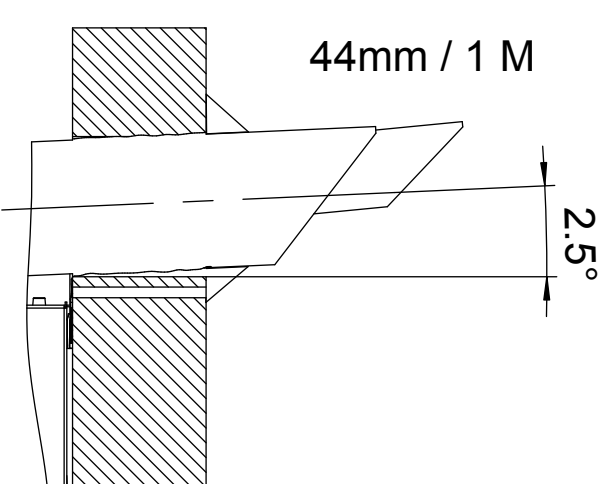
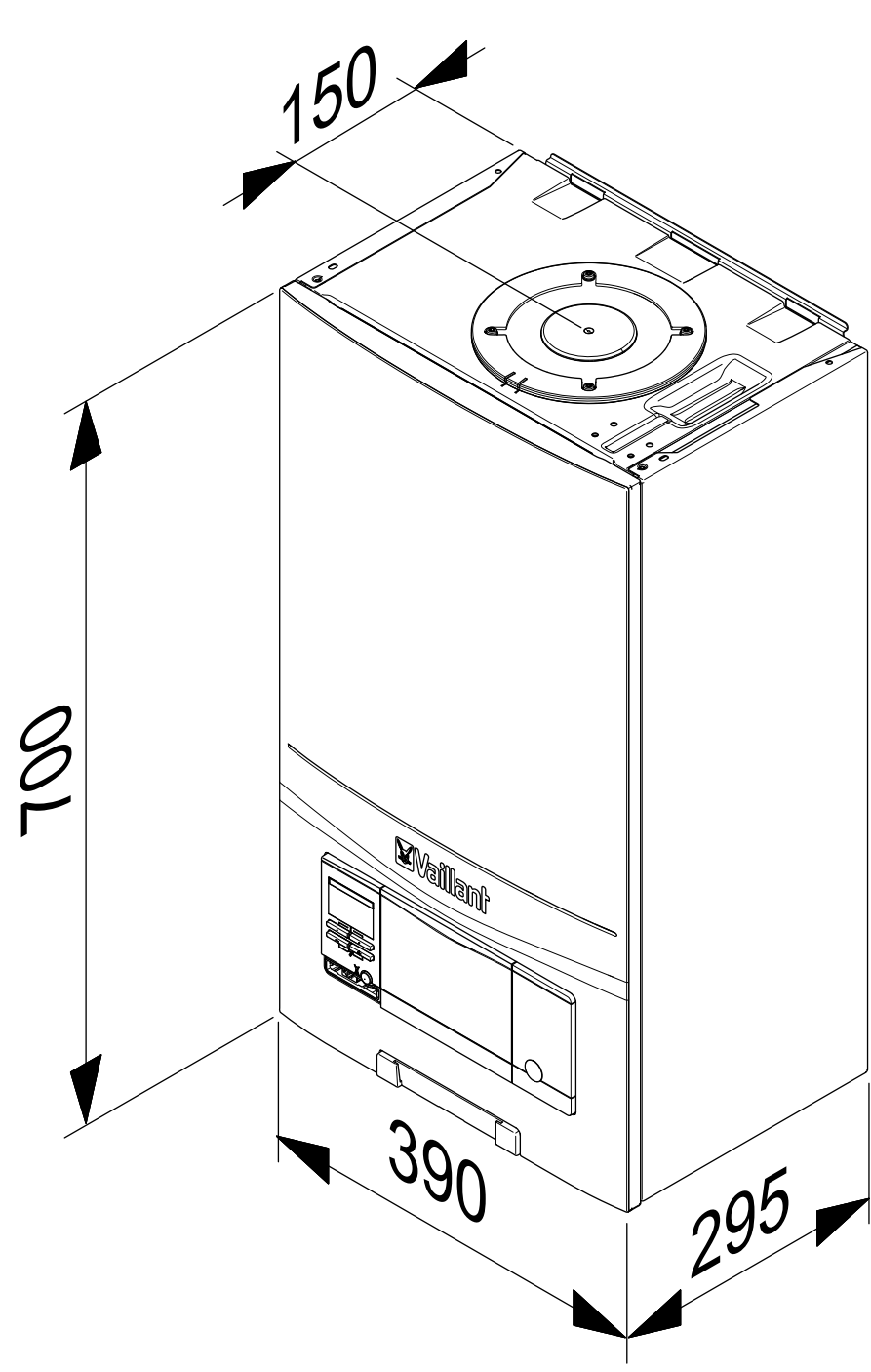
0020231639\_00

5 mm Min. Clearance

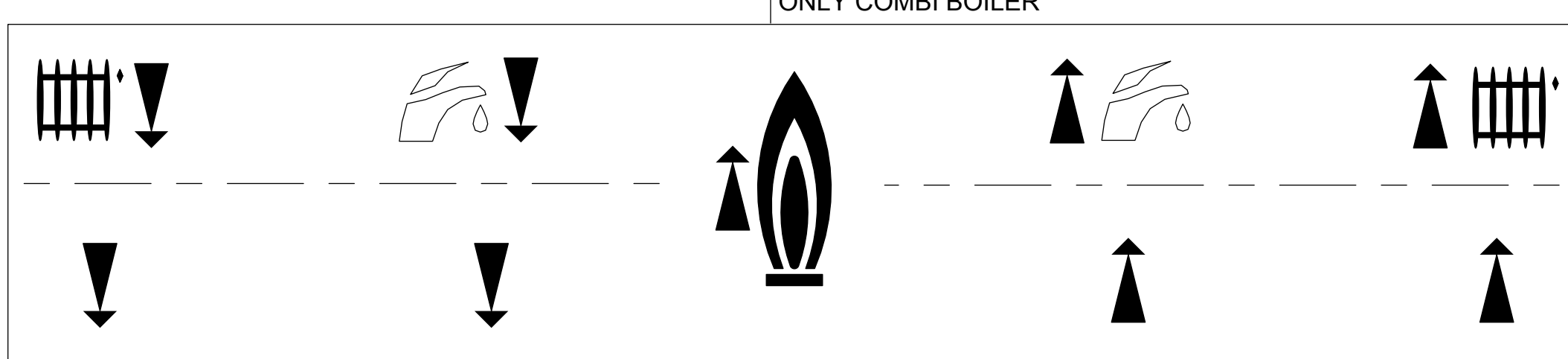


5 mm Min. Clearance

**BOILER**



ONLY COMBI BOILER



150

MINIMUM CLEARANCE

0020231639\_00 - 05/16