



TRIANCO
The Heating Creators

Aztec

Versatile Electric Heating Solutions



Aztec Electric Boilers

Aztec electric boilers have powered thousands of homes across the UK over the years and remain one of the most popular ranges available in the Trianco portfolio of heating products.

Designed with precision and engineered to perfection the range is produced to a superb standard that is expected of a British manufacturer. Aztec is the preferred choice for many households that have no mains gas supply or are seeking an alternative to fuels such as oil or LPG.

Aztec boilers have minimum noise levels and an efficiencies of 99.8%, it can work effectively alongside any renewable technology and can provide ample supply to radiators just like any other conventional boiler.

Typical Application



Apartments & Family Homes



Mobile Homes & Caravans



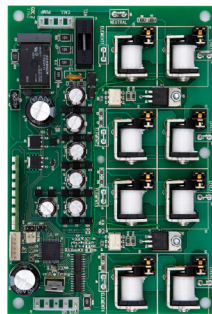
Flats

New and improved PCB

Aztec boilers feature specifically designed state of the art, printed circuit boards (PCB). Providing full modulation, it controls the continuous supply of an optimum output for the systems demand. The full controllability through all heating cycles ultimately reduces running costs.

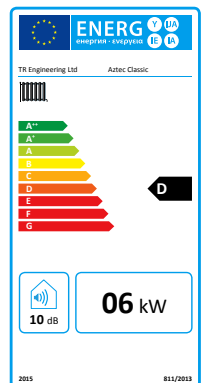
An external temperature control adjustment is also displayed (ranging from 35° to 75°).

Dry fire and overheat monitoring fully protects the elements and a full diagnostic remote fault finding feature is available.



ERP approved

All Aztec electric boilers and the Easyfit cylinder are ERP approved. ERP is an 'Energy related products' regulation, designed to label products that meet the criteria put in place to meet European emission and carbon reduction targets for 2020.



NEW

Aztec Easyfit - the ultimate all in one electric heating system

Aztec Easyfit is the complete heating solution, designed to provide DHW and heating to the home, be it for standard radiators or a underfloor heating. Easyfit is a complete and compact system, and an excellent space saving solution thats simple and quick to install. EASYFIT has outputs of 6kW, 9kW and 12kW and is fully plumbed to required European standards.

The electric boiler is supported by a 210litre cylinder, all insulated plumbing and pipework, programmer, thermostat and 12 litre expansion vessel.

The room programmer ensures hot water can be stored at any desired temperature between 25 degrees and 65 degrees, with an additional feature of automatic "boost" to above 60 degrees once a week. This eliminates any potential Legionella.

Aztec Easyfit features

- The ultimate space saving solution
- No need for additional plumbing pipework and cylinder
- Programmable to suit off-peak tariffs
- High performance 210litre stainless steel DHW cylinder
- Quick and simple install
- ERP approved

Boiler features

- State of the art bespoke PCB
- Fully modulating
- Outputs up to 12kW
- External temperature control
- No noxious gases
- Virtually maintenance free
- 99.8% efficient
- Replaceable elements
- Self diagnostic checking
- Soft switching to preserve element life and prevent interference
- Resettable thermal safety cut-out
- No flue required
- Comprehensive 2 year guarantee



Complete with digital programmer

Dimensions & Specification

Model	Output kW	Depth (mm)	Width (mm)	Height (mm)	Weight (Kg)	Water Content (Litres)
Aztec Easyfit 6	6	750	750	1540	60	210
Aztec Easyfit 9	9	750	750	1540	66	210
Aztec Easyfit 12	12	750	750	1540	66	210



Key to components

- | | |
|------------------------|---|
| 1 Heating expansion | 13 Filling loop |
| 2 Room programmer | 14 Immersion 3kW |
| 3 Auto air vent | 15 Boiler |
| 4 Secondary DHW loop | 16 Tundish |
| 5 Wilo water pump | 17 Cylinder temperature pressure relief valve |
| 6 Wiring centre | 18 Pressure gauge |
| 7 Diverter valve | 19 Heating pressure temperature relief valve |
| 8 Auto bypass | 20 Room thermostat |
| 9 Diverter valve | 21 DHW expansion |
| 10 210 litre cylinder | |
| 11 Auto air vent | |
| 12 Cylinder thermostat | |

Aztec Classic - a superb heating choice

Available in outputs of 2kW-12kW the Aztec Classic has furnished thousands of homes across the U K over the last decade. Its compact, wall mounted and slim vertical design (only 165mm wide) is specifically aimed at small spaces and can even be sited in a small airing cupboard alongside a cylinder.

It can be installed in any type of property i.e. house, flat, mobile home or apartment and is particularly popular in retrofit and new build situations.

Aztec Classic features

- Slim design
- State of the art bespoke PCB
- Fully modulating
- Can be installed almost anywhere
- Outputs up to 12kW
- External temperature control
- No flue or fuel supply tank required
- No noxious gases
- Easy to install
- Virtually maintenance free
- 99.8% efficient
- Replaceable elements
- Self diagnostic checking
- Soft switching to preserve element life and prevent interference
- Resettable thermal safety cut-out
- Compatible with solar power
- Comprehensive 2 year guarantee



Dimensions & Specification

Model	Output kW	Depth (mm)	Width (mm)	Height (mm)	Weight (Kg)	Water Content (Litres)
Aztec-2	2	165	143	550	7.0	1.0
Aztec-6	6	165	143	820	8.1	2.1
Aztec-9	9	165	143	1080	10.6	3.2
Aztec-11	11	165	143	1080	10.6	3.2
Aztec-12	12	165	143	1080	10.6	3.2

Aztec System - an all in one, fit and forget solution

The Aztec System is a neat electric boiler that packs in components required to create a full heating system.

Perfectly engineered, the unit incorporates pump, auto air vent, expansion vessel and pressure gauge.

Ideal to easily fit alongside an existing cylinder and available in outputs from 6kW- 12kW. The Aztec system simplifies the install and removes the need for additional or unnecessary external plumbing or pipework.

The system is fully controllable via supplied digital programmer.



Aztec System features

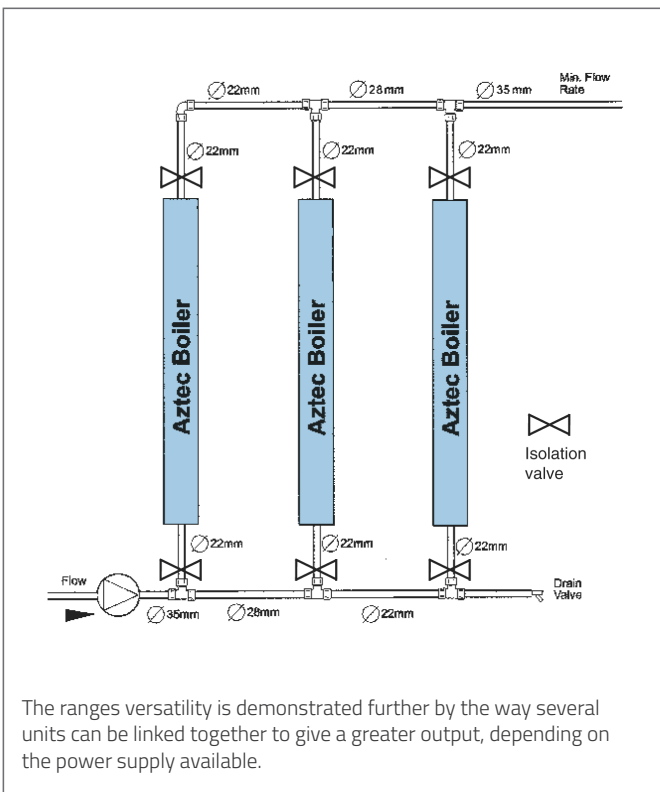
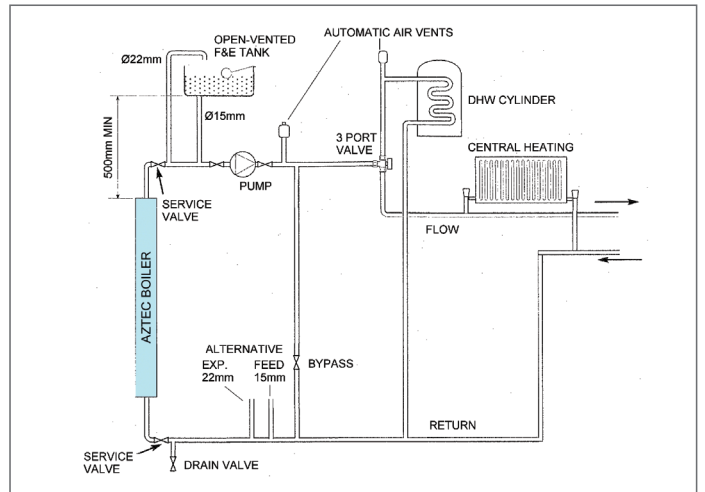
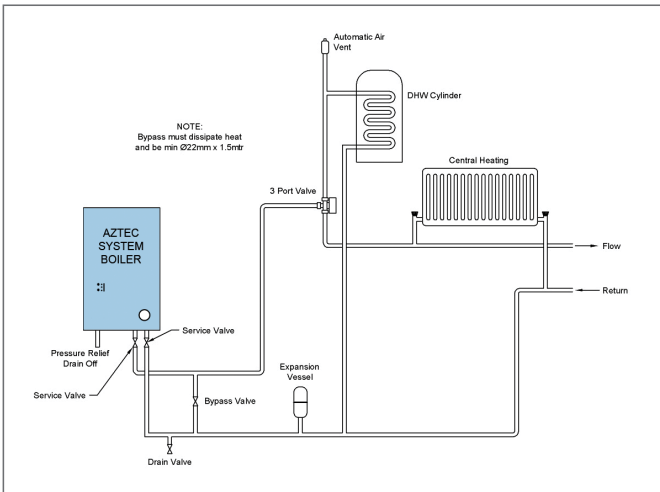
- Complete with pump, expansion vessel, automatic air vent and pressure gauge
- State of the art bespoke PCB
- Fully modulating
- Can be installed almost anywhere
- Comes with external programmer
- Outputs up to 12kW
- External temperature control
- No flue or fuel supply tank required
- No noxious gases
- Easy to install
- Virtually maintenance free
- 99.8% efficient
- Replaceable elements
- Self diagnostic checking
- Soft switching to preserve element life and prevent interference
- Resettable thermal safety cut-out
- Compatible with solar power
- Comprehensive 2 year guarantee

Dimensions & Specification

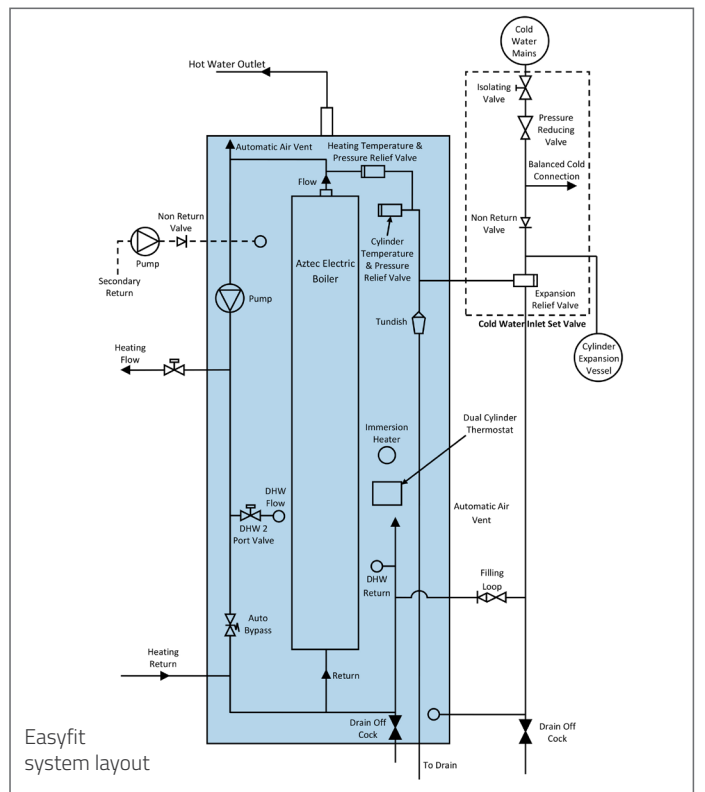
Model	Output kW	Depth (mm)	Width (mm)	Height (mm)	Weight (Kg)	Water Content (Litres)
Aztec-6	6	450	290	700	25	7
Aztec-9	9	450	290	700	25	7
Aztec-11	11	450	290	700	25	7
Aztec-12	12	450	290	700	25	7



Typical system layouts



The ranges versatility is demonstrated further by the way several units can be linked together to give a greater output, depending on the power supply available.



Easyfit system layout

TR Engineering Limited
 Thorncliffe, Chapelton, Sheffield S35 2PH
 Telephone: +44 (0)114 257 2300
 Fax: +44 (0)114 257 1419
 Email: info@trianco.co.uk
 Web: www.trianco.co.uk

TR Engineering Limited is a company registered in England and Wales Registration no. 7321802



TRIANCO
 The Heating Creators

Copyright of all contents of this leaflet is vested in TR Engineering Limited. Any part may not be reproduced without permission. The contents of this leaflet are accurate at the date of printing but, because TR Engineering has a policy of continual development, it may be superseded and should be disregarded if specifications or appearances are changed. The statutory rights of the customer are not affected. E&OE's.

