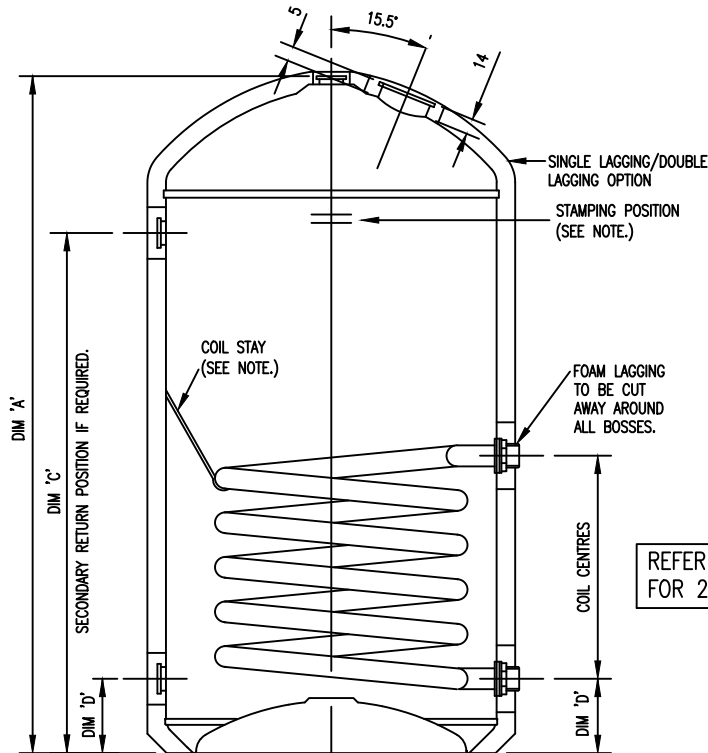
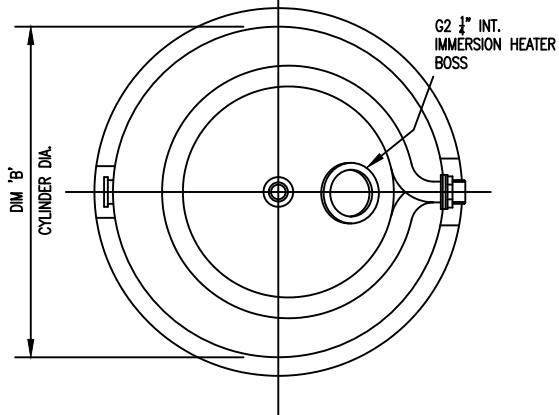


DRG NO
A33531

ALL DIMENSIONS IN MILLIMETRES DO NOT SCALE IF IN DOUBT - ASK
REMOVE ALL SHARP EDGES



REFER TO DRAWING A34185
FOR 22MM COIL DETAILS



NOTES.

- CYLINDERS CONSTRUCTED & TESTED IN ACCORDANCE WITH B.S.1566 : 2002
 - SECONDARY RETURN BOSS ON BS1566 SIZES 0-9E NOT REQUIRED.
 - FIT SECONDARY RETURN BOSS TO SIZES 10-14 AS STANDARD.
 - SCREWED CONNECTIONS -
- | BS REF. | PRIMARY COIL CONNECTIONS. | SECONDARY CONNECTIONS. |
|---------|---------------------------|------------------------|
| 0-9E | G1 EXT. | G1 INT. |
| 10-11 | G1 1/4 EXT. | G1 1/2 INT. |
| 12-14 | G1 1/2 EXT. | G2 INT. |
- ENSURE AN IMMERSION HEATER OF LENGTH 200mm WILL FIT IN CYLINDER WITHOUT FOULING.
 - FIT COIL STAY TO CYLINDERS BS REF. 9-14.
 - STANDARD POSITION OF STAMPING AS SHOWN. SEE DRG A33652 FOR STAMPING DETAILS.
 - CYL LABEL TO BE POSITIONED ON INSULATION OVER STAMPING POSITION.

ALBION CODE	BS. REF.	A	B (DIA)	C	D	VOL (L)
KN600300G3		600	300	400	100	45
KN1200300G3		1200	300	1000	100	73
KN1500300G3		1500	300	1250	100	95
KN1600300G3	0	1600	300	1250	100	96
KN1800300G3		1800	300	1600	100	114
KN750350G3		750	350	550	100	72
KN900350G3		900	350	850	100	87
KN1200350G3		1200	350	1000	100	103
KN750375G3		750	375	550	100	70
KN900375G3		900	375	700	100	86
KN975375G3		975	375	775	100	95
KN1050375G3		1050	375	800	100	102
KN1200375G3		1200	375	1000	100	115
KN1500375G3		1500	375	1300	100	150
KN600400G3		600	400	400	100	62
KN700400G3		700	400	500	100	70
KN750400G3		750	400	550	100	80
KN800400G3		800	400	600	100	85
KN900400G3	2	900	400	700	100	96
KN1050400G3	3	1050	400	800	100	114
KN1200400G3		1200	400	1000	100	133
KN1500400G3		1500	400	1300	100	170
KN1800400G3		1800	400	1600	100	200
KN675450G3	4	675	450	450	100	84
KN750450G3	5	750	450	550	100	95
KN800450G3		800	450	600	100	102
KN825450G3	6	825	450	625	100	106
KN900450G3	7	900	450	700	100	117
KN1050450G3	8	1050	450	800	100	140
KN1200450G3	9	1200	450	950	100	162
KN1350450G3		1350	450	1150	100	180
KN1400450G3		1400	450	1200	100	190
KN1500450G3	9E	1500	450	1250	100	206
KN1200500G3	10	1200	500	950	150	190
KN1500500G3	11	1500	500	1200	150	245
KN1800500G3		1800	500	1600	150	306

7	DT	KN CODES & SIZES ADDED 600 DIA REFS DELETED	17/9/18	480
6	DT	IMM HTR BOSS LOCN DIMNS ADDED NOTE RE POSN ADDED	17/2/16	232
5	AY	LAGGING NOTE UPDATED TO ADD 50MM OPTION AS PER SALES REQUEST	16/01/14	
4	SB	REF 9E COIL NOW 22MM, WAS 28	20/10/11	
3	SB	28MM COILS CHANGED TO 22MM UPTO AND INCLUDING BS REF 9	02/04/10	
2	AMH	UPDATED TO BS1566:2002	25/01/02	
1	TWA	HTR WAS 45 DEG ON R/H SIDE ADD COIL TURNS AND DIA	31/03/99	

Rev	By	Change	Date	REF
CHECKED		A.O.	DATE 20/10/11	
DRAWN		TWA	DATE 01/12/98	

SCALE: NTS A4 FIRST ANGLE PROJECTION ACAD 2006

UNLESS STATED OTHERWISE
TOL ± 3mm FINISH Ra

TITLE
HERCAL INDIRECT
300/400/450/500 DIA
GENERAL ASSEMBLY

DRG NO A33531

COPYRIGHT IN THIS DRAWING
RESIDES WITH THE COMPANY