

■ ecoTEC exclusive with Green iQ

GREEN  
iQ

Because  **Vaillant** thinks ahead.

Leading the way for customers and the market:

GREEN  
iQ

All new Green iQ badge from Vaillant

As one of Europe's leading heating technology manufacturers, 'thinking ahead' is a culture which is embraced throughout our business. Our products feature high energy efficiency ratings and low emissions, and come with an enviable reputation for performance, quality and reliability. This comes from proven German engineering combined with UK manufacture by a single operative from start to finish.

## Introducing Green iQ

A smart new badge: Green iQ

We introduced the Green iQ badge to set benchmarks for outstanding quality and to ensure we aim to create future proof, sustainable heating systems that achieve the lowest carbon footprint.

Green iQ is the first badge to distinguish well-engineered products that are both sustainable and networked for the future.

GREEN  
iQ



Visit [www.vaillantiq.co.uk](http://www.vaillantiq.co.uk) to find out more.

## The new ecoTEC exclusive with Green iQ

Our first ever boiler product with the power of Green iQ technology.

### The new ecoTEC exclusive with Green iQ

Combining our complete range of smart technologies and features, you can be sure you're fitting the very best when you fit the new exclusive. As well as providing great performance, the ecoTEC exclusive with Green iQ intelligently manages consumption and output to keep all its components running at peak performance for longer, providing a low-maintenance solution that you can rely on.

The ecoTEC exclusive range consists of two large output combination boilers with Extra-Condense technology, and a single system boiler, which includes an integrated diverter valve for the first time in UK Vaillant history.

MODEL	ARTICLE NUMBER
ecoTEC exclusive 627 27kW system	0010017063
ecoTEC exclusive 835 35kW combination	0010017064
ecoTEC exclusive 843 43kW combination	0010017065

### Benefits at a glance

#### Wide modulation range of up to 1:10

Adapts perfectly to all systems in every situation, ensuring lowest fuel bills for your customers

#### All-gas system

Always reaches optimal combustion with lowest emissions. As a self-adaptive system, it automatically adjusts to all types of gas

#### System boiler with integral 3-way valve

4-pipe system to provide load compensation in DHW mode as well as CH mode. No more complex wiring systems, junction boxes or external zone valves

#### Extra-Condense heat exchanger

Taking overall combi boiler efficiency to the next level, and almost eliminating plume in DHW mode

#### Green iQ Mode

Outstanding eco-credentials from Vaillant's latest boiler range, which optimises running cycles, results in even lower gas consumption and the boiler is highly recyclable (85%) at the end of its life

#### High power, 43kW output model available

Delivers Vaillant's highest ever flow rate of 17.8 l/min

#### Compatible with Vaillant's vSMART™ heating control

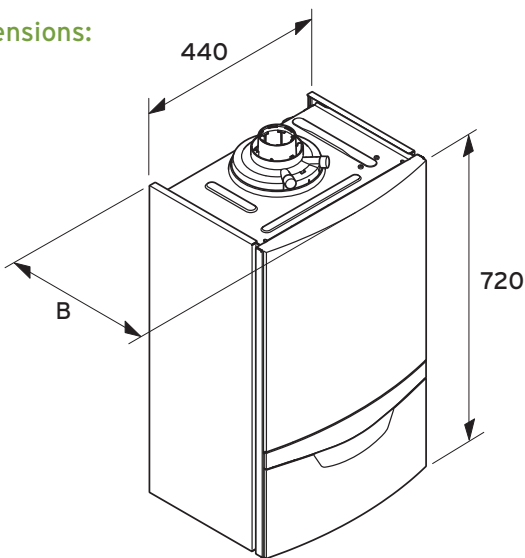
#### FREE 7 year warranty\*

#### Option to purchase extended warranty up to 10 years\*

\*When registered through Vaillant Advance

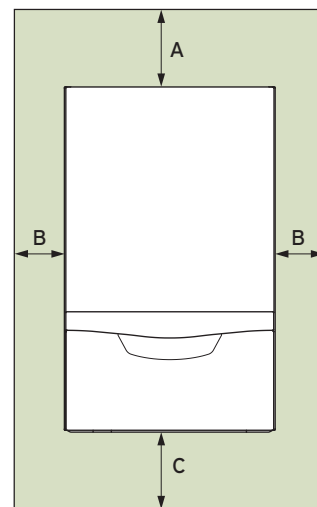
ecoTEC exclusive	ecoTEC exclusive 627	ecoTEC exclusive 835	ecoTEC exclusive 843
Article numbers	0010017063	0010017064	0010017065
Nominal heat output range P at 50/30°C (kW)	3.4 - 26.7 (LPG: 4.2 - 26.7)	3.9 - 26.4 (LPG: 8.6 - 26.4)	4.8 - 36 (LPG: 8.5 - 36.0)
Nominal heat output range P at 80/60°C (kW)	3.0 - 24.7 (LPG: 3.7 - 24.7)	3.4 - 24.6 (LPG: 7.6 - 24.6)	4.3 - 33.4 (LPG: 7.6 - 33.4)
Maximum heat output for water generation (kW)	30	35.3	43.4
Nominal heat input for central heating (kW)	3.3 - 25.3 (LPG: 4.0 - 25.3)	3.6 - 24.8 (LPG: 8.0 - 24.8)	4.5 - 33.7 (LPG: 8.0 - 33.7)
Heating setting range (kW)	3 - 26	4 - 25	5 - 34
<b>Heating</b>			
Max. flow temperature (°C)	85	85	85
Max. flow temperature setting range (factory setting 75°C) (°C)	30 - 85	30 - 85	30 - 85
Expansion vessel capacity (l)	10	10	10
Nominal gas consumption (m <sup>3</sup> /hr)	3.21 (LPG: 2.35)	3.5 (LPG: 2.54)	4.3 (LPG: 3.12)
<b>DHW mode</b>			
Lowest water volume for operation (l/min)	n/a	1.5	1.5
DHW performance (at DT=-35K) (l/min)	n/a	14.5	17.8
Hot water output temperature range (°C)	n/a	35 - 65	35 - 65
<b>General</b>			
Boiler-side gas connection (mm)	15	15	20
Flow/return heating connections, boiler side (mm)	3/4"	3/4"	3/4"
Hot and cold water connection, boiler side (inches)	1/2"	3/4"	3/4"
Approved flue gas connections	C13, C33, C53	C13, C33, C53	C13, C33, C53
No <sub>x</sub> (mg/kWh)	33.73	34.9	36.8
ErP efficiency	94%	94%	94%
ErP rating (heating/hot water)	A	A/A	A/A
Boiler dimensions (HxWxD)	720 x 440 x 338	720 x 440 x 406	720 x 440 x 474
Mounting weight approx. (kg)	34.5	42.5	50

**Dimensions:**



Installation depth	Dimension B
ecoTEC exclusive 627	338mm
ecoTEC exclusive 835	406mm
ecoTEC exclusive 843	474mm

**Clearances:**



	Minimum clearance
A	165mm: flue pipe, 60/100mm diameter 275mm: flue pipe, 80/125mm diameter
B	50mm
C	180mm

## Take Control

ecoTEC exclusive with Green iQ is compatible with Vaillant's complete range of intelligent eBUS controls. From the simplicity of our analogue heating controls to wireless thermostats, you're sure to find a control that's a smart choice for every installation.



### timeSWITCH 150

Easy to use analogue, plug-in heating control

Article number: 0020116882

### VRT 50

Room thermostat

Article number: 0020018265



### VRT 350

Enhanced load compensating programmable room thermostat

Article number: 0020124475



### VRC 700

Wireless programmable room thermostat

Article number: 0020236291



## There's smart, then there's vSMART™



### vSMART™

Wireless heating and hot water control on a smartphone app.

When a vSMART™ control is added, the ecoTEC exclusive will achieve an A+ ErP rating, making it welcome in any switched-on, energy-conscious home. It's convenient, energy efficient, and saves on energy bills.

**vSMART article numbers:**  
0020223154 vSMART

For more information on Vaillant's range of intelligent controls please visit [www.vaillant.co.uk](http://www.vaillant.co.uk)

## Training

Training for the ecoTEC exclusive is available at each of our UK Centres of Excellence. To find out more or to book a place, contact **0345 601 8885** or email [training@vaillant.co.uk](mailto:training@vaillant.co.uk)



Vaillant Group UK Ltd.

Nottingham Road ■ Belper ■ Derbyshire DE56 1JT ■ Telephone 0345 602 2922 ■ [www.vaillant.co.uk](http://www.vaillant.co.uk) ■ [info@vaillant.co.uk](mailto:info@vaillant.co.uk)

# Join us today for a better way of working

Advance your knowledge, your business and your earnings.  
Become a Vaillant Advance Partner.

When you sign up to Vaillant Advance, you're not just joining a loyalty programme, you're linking with the UK's number one heating and renewables manufacturer; setting the standard in the heating market for over 140 years.



**Expect to receive valuable benefits when you register a new ecoTEC exclusive on Advance, such as:**


 <b>Earn cash and credits</b> Advance rewards you for all your hard work. Go shopping with cashback earned and redeem credits on workwear and other cool stuff.	 <b>Free extended warranties</b> Get access to excellent extended warranty options, totally exclusive to Advance members.
 <b>Free Gas Safe in a couple of clicks</b> Complete Gas Safe online or on the app, with the certificate automatically sent to your customer. Less fuss. Less paperwork.	 <b>Paperless Benchmark and service reminders</b> Files. Paper clips. Forget them. Advance makes all your admin digital.
 <b>Hotline to the Vaillant team</b> Advance puts you in direct contact with the Vaillant team, providing all the back up you need.	 <b>Technical data always at hand</b> Every tiny detail of any Vaillant product is right at your fingertips, 24/7.

Vaillant Advance. Look forward to it.

Join today - call the Advance team on **01865 893 309** or visit [www.vaillant-advance.co.uk](http://www.vaillant-advance.co.uk)



Download the Advance app and upgrade your business today.

 @vaillantuk    vaillantuk    vaillantuk

 Heating    Hot water    Renewables

  
**advance**

\*When registered on Advance

\*\* Option to purchase up to 10 years on eligible product. T&Cs apply.